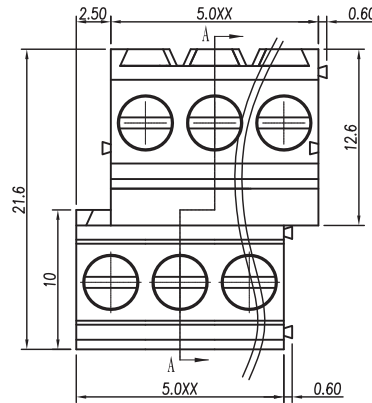
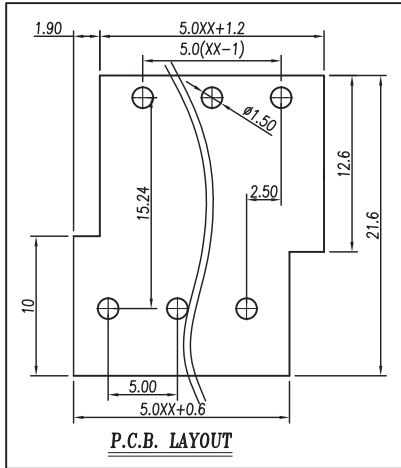




CIXI WANJIE ELECTRONIC CO., LTD

THE SPEC SHEET



Electrical

Standard	UL	IEC
Rated voltage	300V	250V
Rated current	15A	18A
Contact resistance	20mΩ	
Insulation resistance	500MΩ/DC500V	
Wire range	30~12AWG	2.5mm ²
Wrth standing voltage	AC 2000V/1 Min	

Mechanical

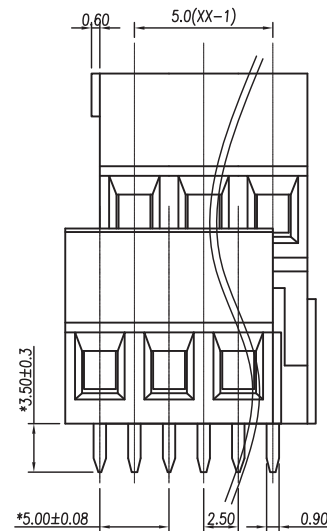
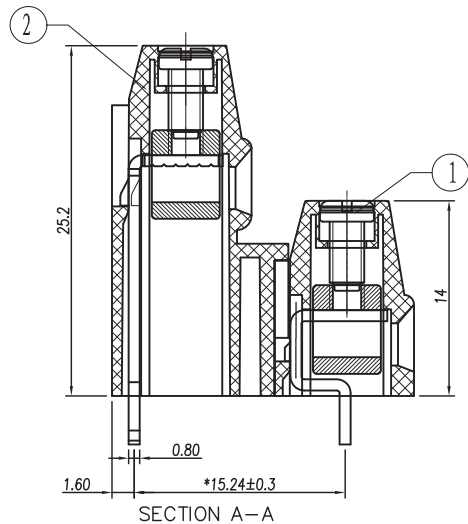
Torque	0.4Nm(3.6Lb.in)
Temp.Range	-40°C~+105°C
MAX Soldering	+250°C, for 5 Sec
Steip Length	6-7mm

Dimensions

Pitch	5.0mm
Poles	2~24p

Material

Housing	PA66, UL94V-0
Screws	M2.5 Steel Zn plated
Pin header	Brass 0.8t Tin plated
Cage	Brass Ni plated



linear dimension(Tolerances Standard GB/T 14486-2008)											≡	—	□	//	⊥	
variable range	to 6	over 6 to 10	over 10 to 18	over 18 to 30	over 30 to 50	over 50 to 80	over 80 to 120	over 120 to 160	over 160 to 200	over 200 to 250	all	to 5	over 5 to 30	over 30 to 120	over 120 to	
tolerance	±0.1	±0.14	±0.19	±0.25	±0.32	±0.43	±0.57	±0.72	±0.88	±1.05	±1.25	0.5	0.025	0.06	0.12	0.4

UNITS	mm	SIZE	A4	SCALE	5:3	THIRD ANGLE PROJECTION	
CIXI WANJIE ELECTRONIC CO., LTD						TITLE	WJEK500B-5.0-2*XXP-1YY-00A